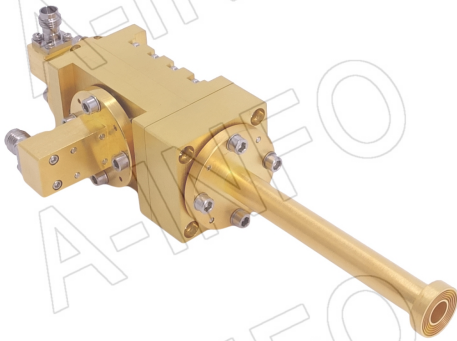


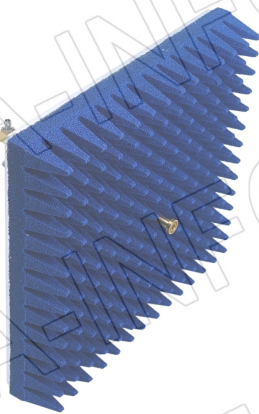
For reference only. See data sheet for the detailed specifications.

## Technical Specification

LB-ACH-19-10-T02-C-1.85F



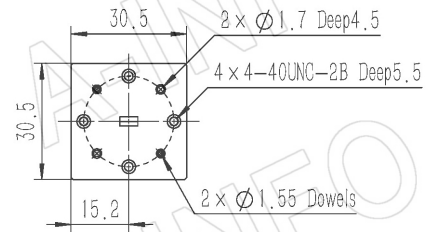
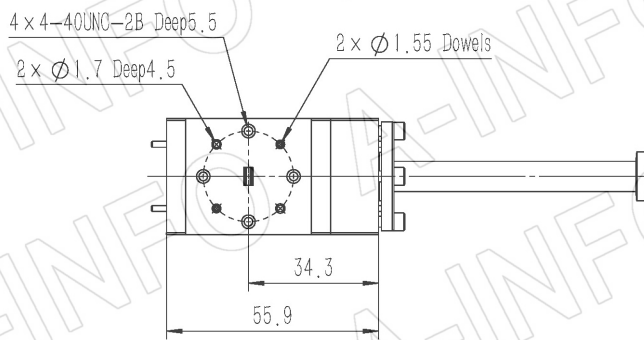
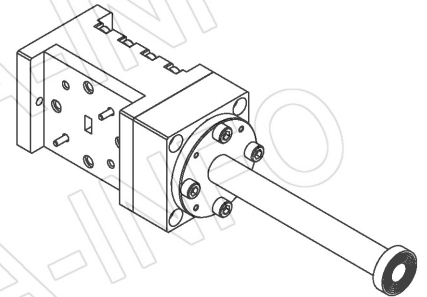
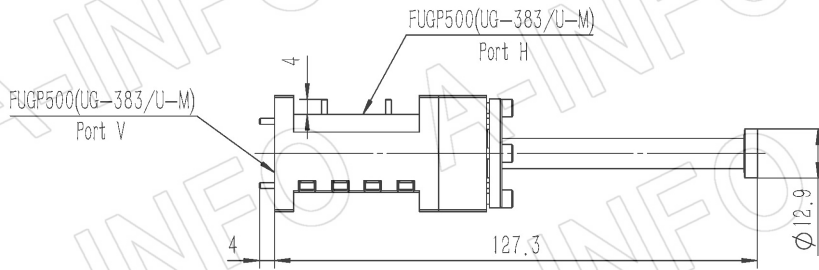
LB-ACH-19-10-T02-C-1.85F-A1



|                            |                    |                                  |
|----------------------------|--------------------|----------------------------------|
| Frequency Range(GHz)       | A Type, WG output: | 40.0 - 60.0                      |
|                            | C Type, 2.4mm-F:   | 40.0 - 50.0                      |
|                            | C Type, 1.85mm-F:  | 40.0 - 60.0                      |
| Waveguide                  | WR19               |                                  |
| Gain(dBi)                  | 10 Typ.            |                                  |
| Polarization               | Dual Linear        |                                  |
| 3dB Beamwidth(deg)         | E Plane:           | 54 Typ.                          |
|                            | H Plane:           | 51 Typ.                          |
| 10dB Beamwidth(deg)        | E Plane:           | 100 Typ.                         |
|                            | H Plane:           | 100 Typ.                         |
| Cross Pol. Isolation(dB)   | 25 Typ.            |                                  |
| Port to Port Isolation(dB) | 45 Typ. ; 35 Min.  |                                  |
| VSWR                       | A Type:            | 1.40:1 Typ.                      |
|                            | C Type:            | 1.60:1 Typ.                      |
| Output                     | A Type:            | FUGP500(UG-383/U-M)              |
|                            | C Type:            | 1.85mm-Female<br>or 2.4mm-Female |
| Material                   | Cu                 |                                  |
| Finish                     | Gold Plated        |                                  |
| Size(mm)                   | A Type:            | 30.5 x 30.5 x 127.3              |
|                            | C Type:            | 51.5 x 32.3 x 153.3              |
|                            | A-A1:              | 259 x 259 x 165.4                |
|                            | A-1.85F-A1:        | 259 x 259 x 191.4                |
| Net Weight(Kg)             | A Type:            | 0.36 Around                      |
|                            | C Type:            | 0.44 Around                      |
|                            | A-A1:              | 1.52 Around                      |
|                            | A-1.85F-A1:        | 1.61 Around                      |

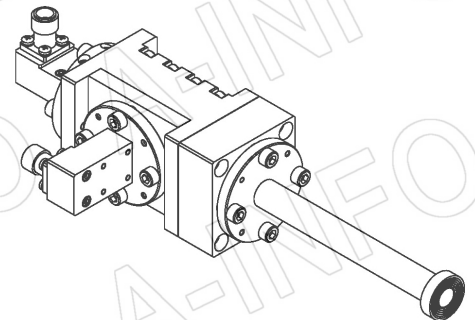
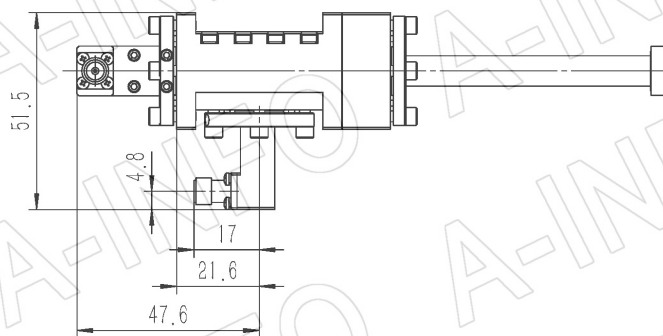
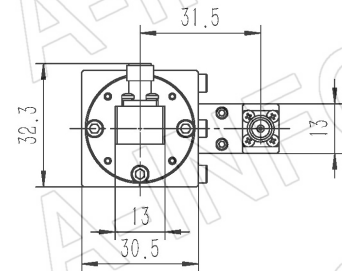
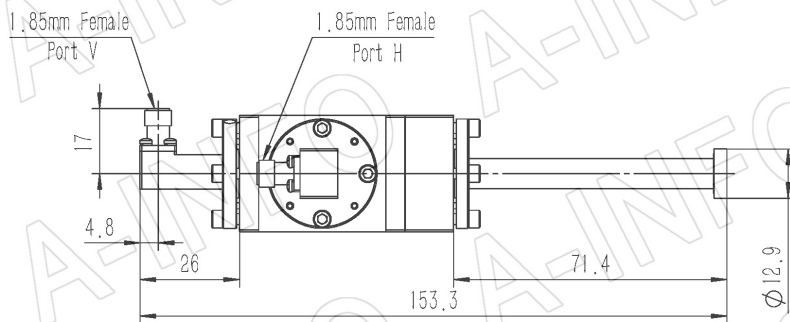
## Outline Drawing (Size: mm)

FUGP500 Output (P/N: LB-ACH-19-10-T02-A)

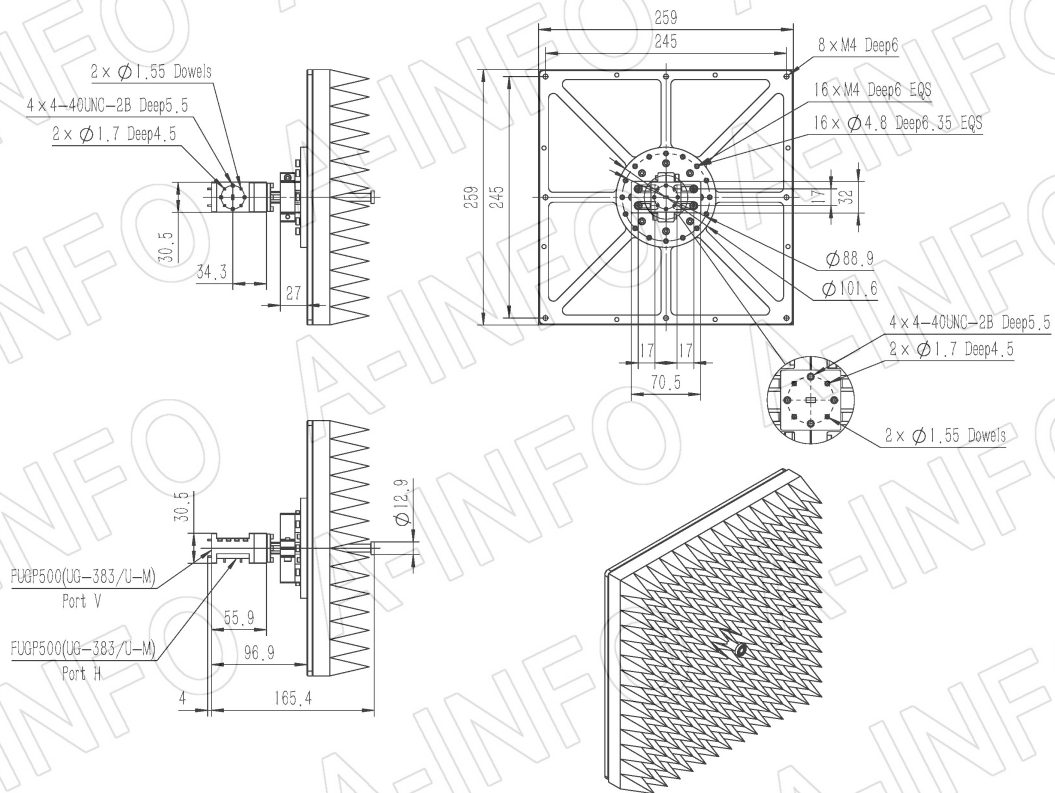


## 1.85mm-Female Output (P/N: LB-ACH-19-10-T02-C-1.85F)

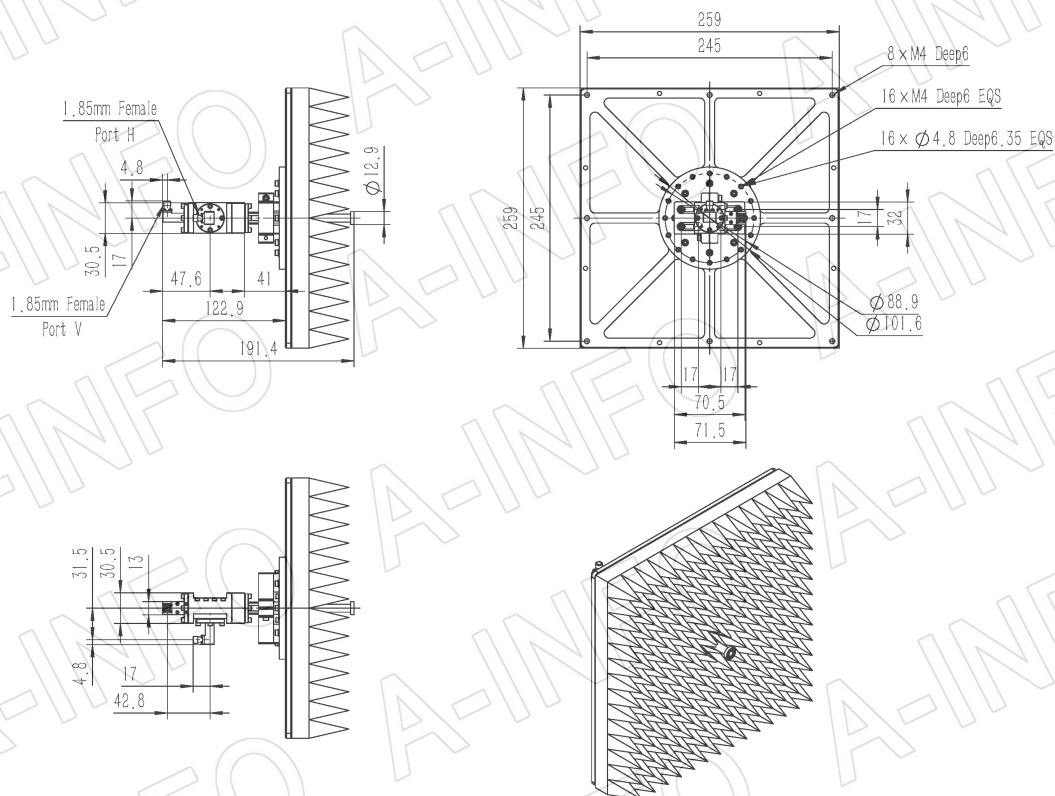
For 2.4mm-Female output outline drawing, please contact A-INFO.



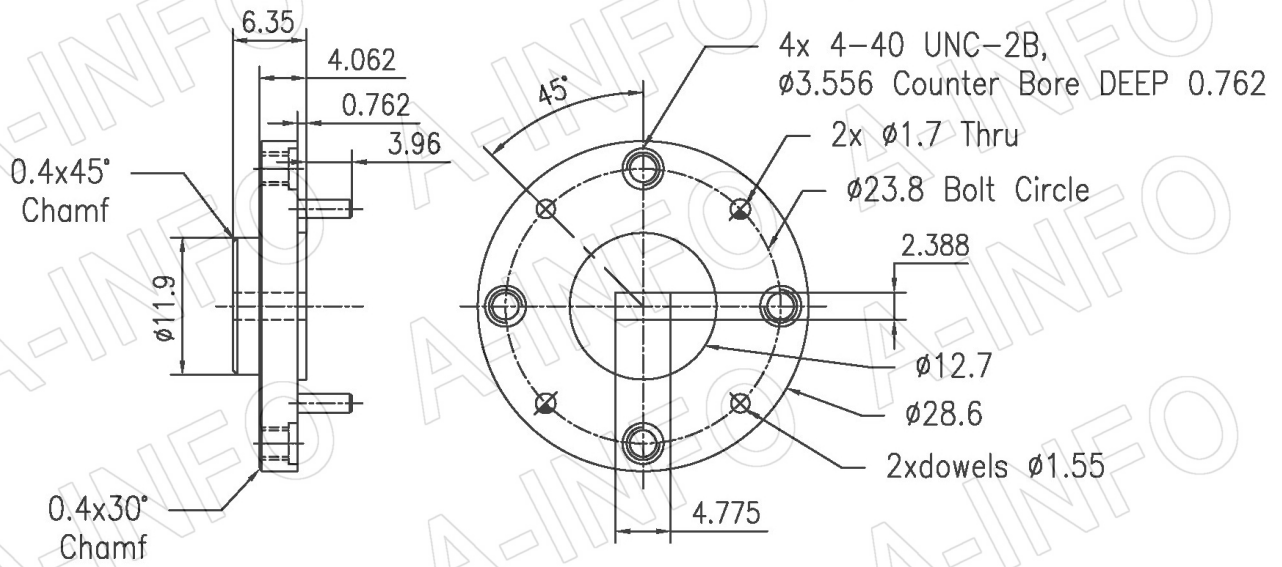
**FUGP500 Output, Equipped with Absorber (Option, P/N: LB-ACH-19-10-T02-A-A1)**



**1.85mm-Female Output, Equipped with Absorber (Option, P/N: LB-ACH-19-10-T02-C-1.85F-A1)**  
For 2.4mm-Female output outline drawing, please contact A-INFO.



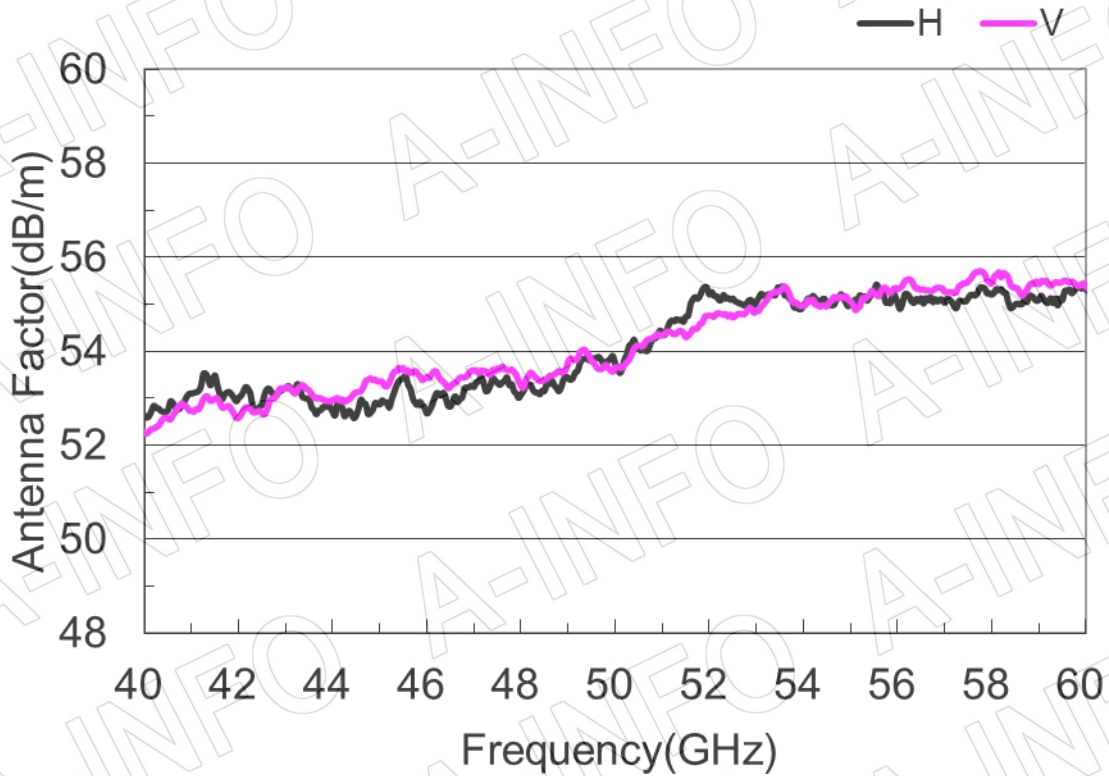
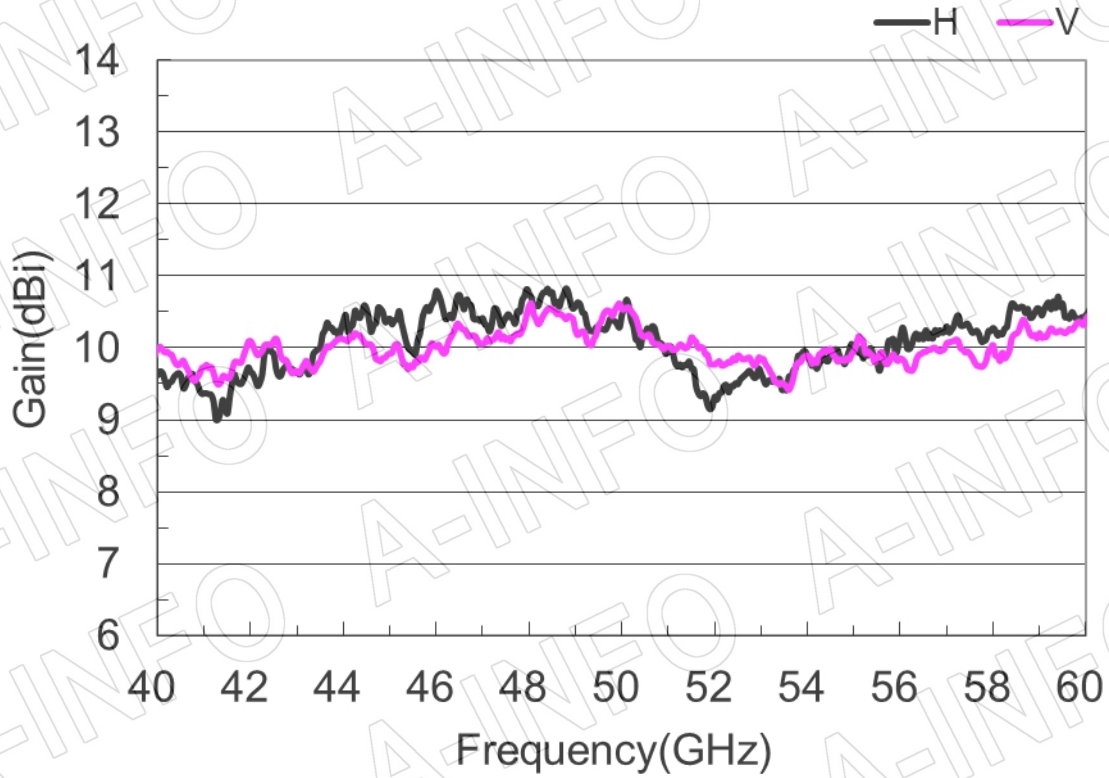
## Flange Drawing (Size: mm)



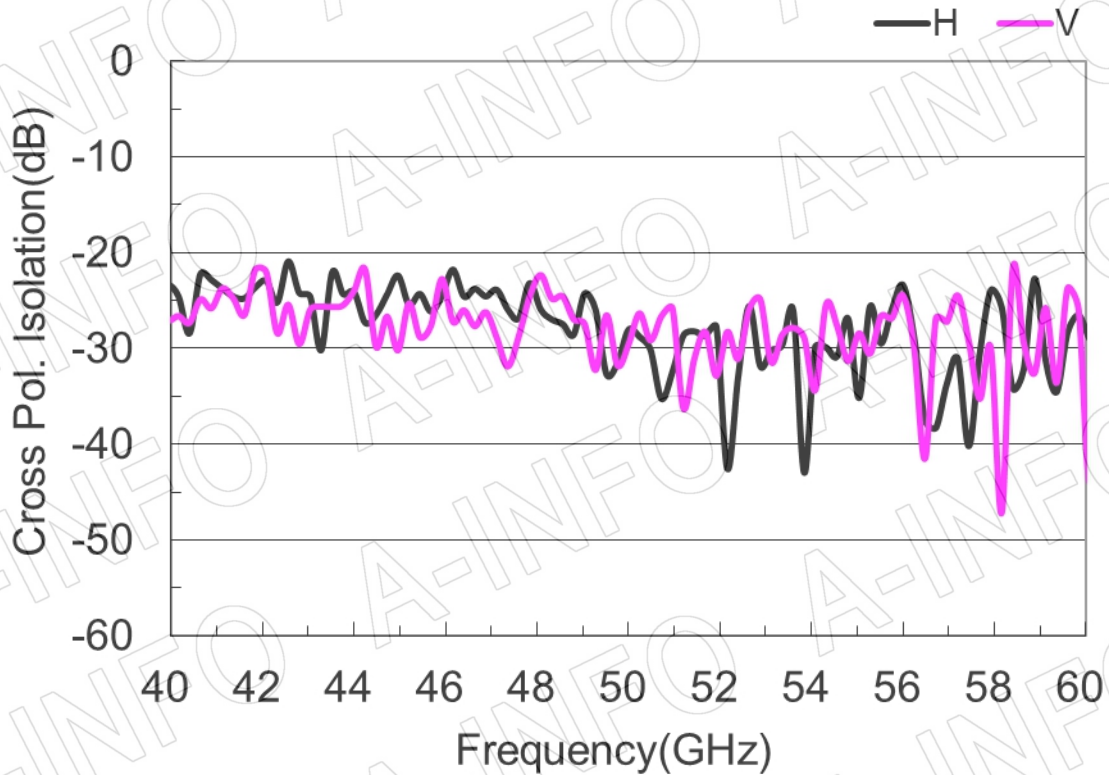
FUGP500  
(equivalent to UG-383/U-M)

## Test Results

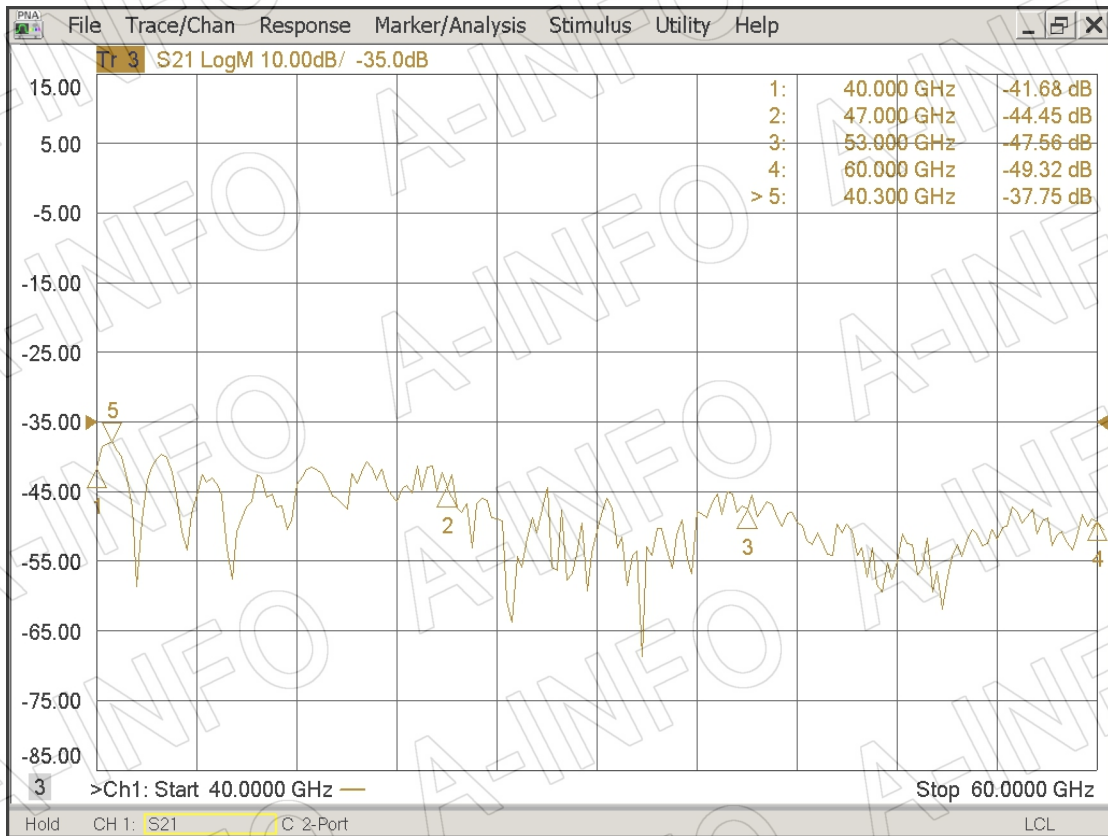
### 1. Gain & Antenna Factor



## 2. Cross Polarization Isolation

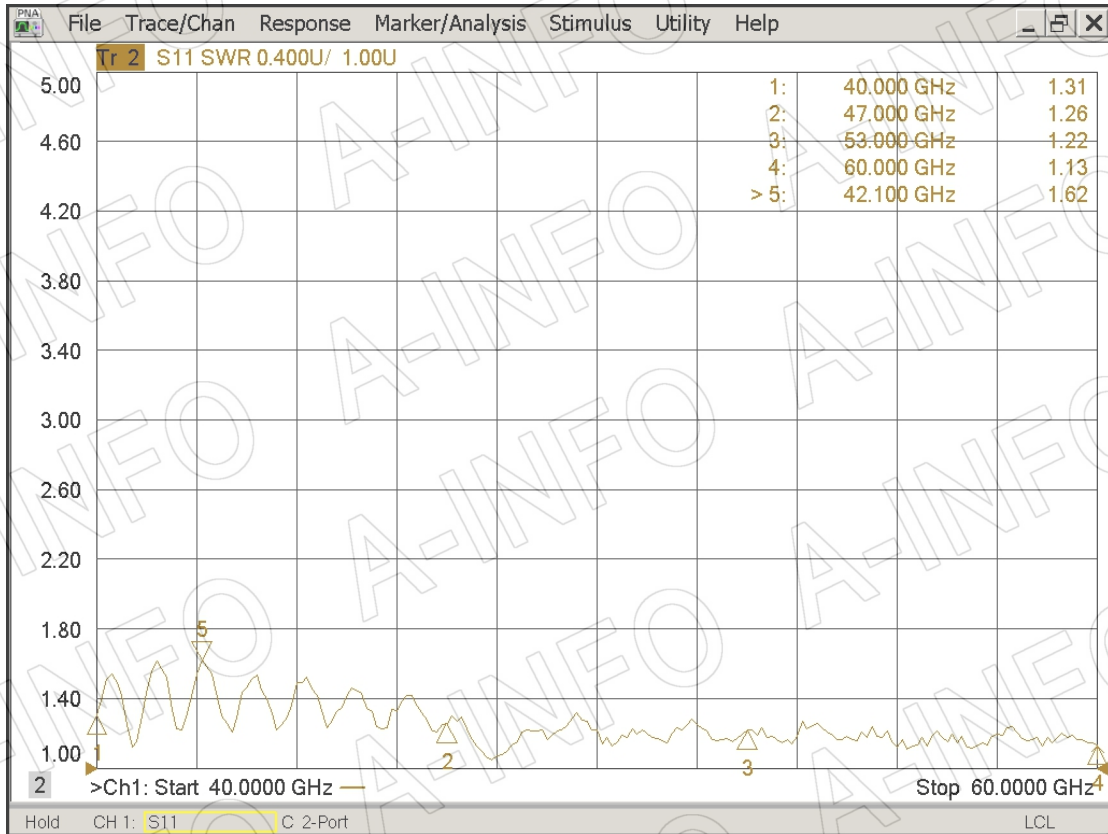


## 3. Port to Port Isolation

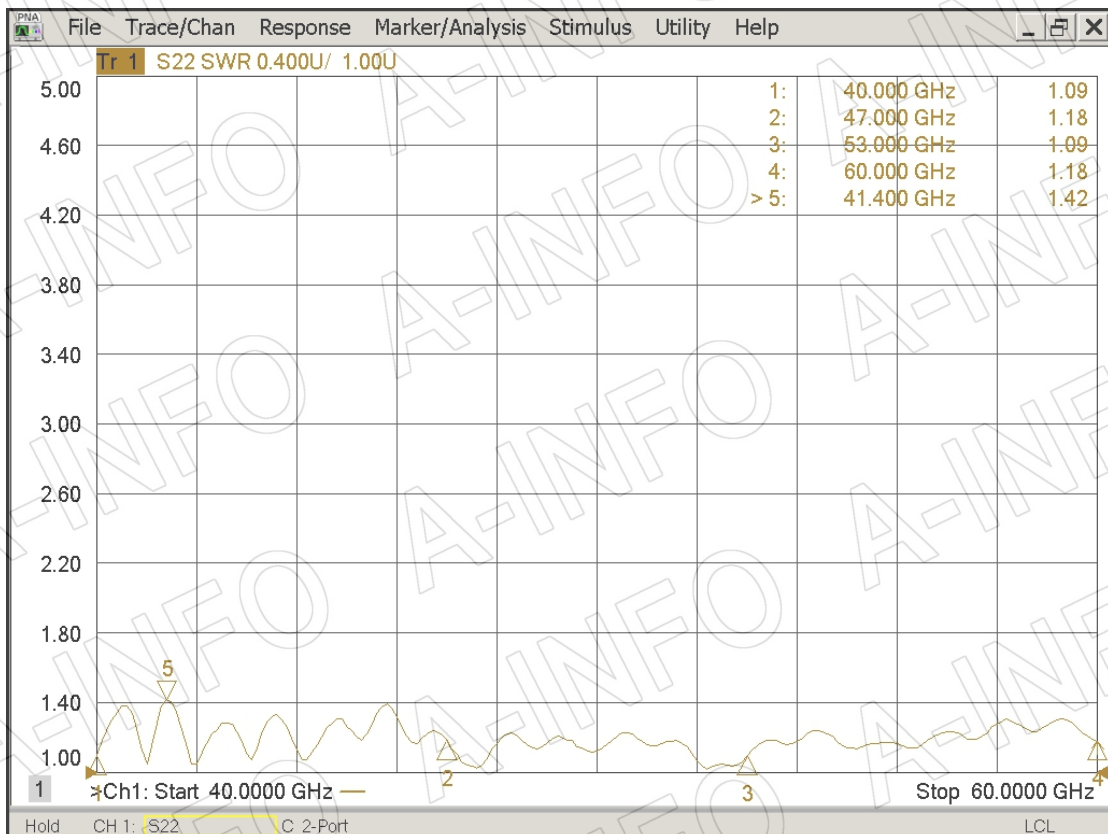


## 4. VSWR\_A Type

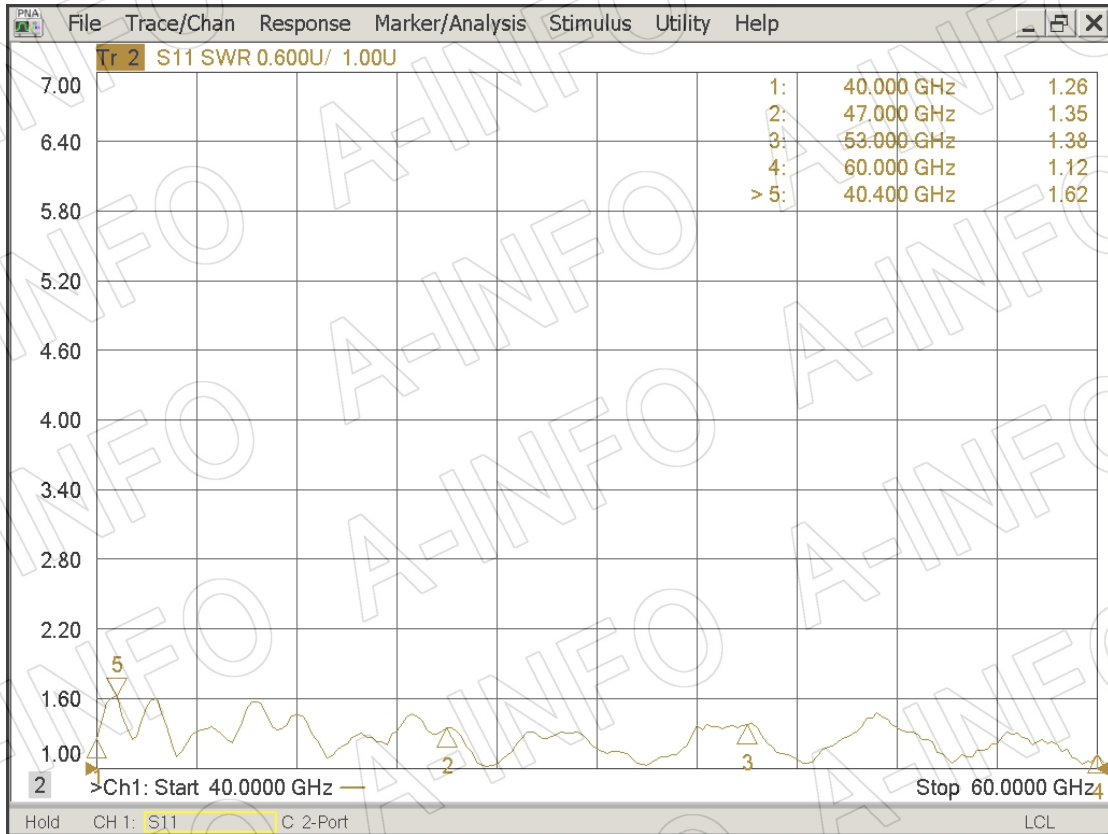
Port-H



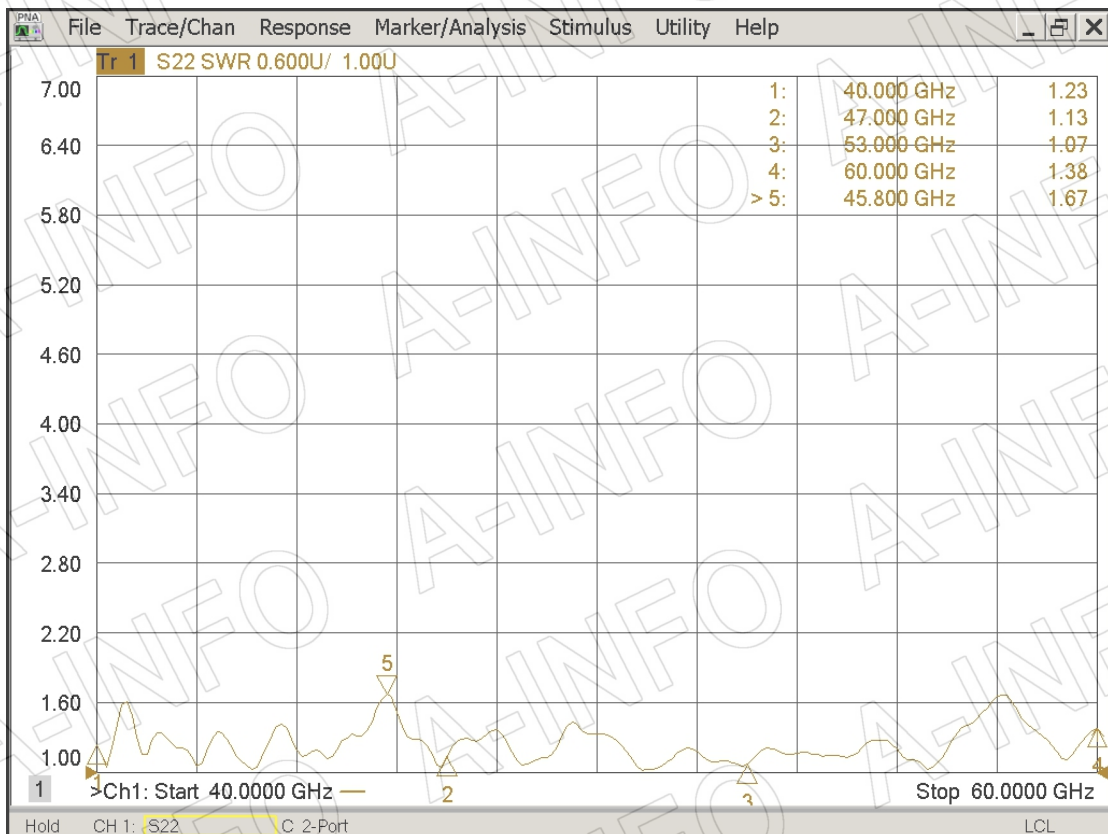
Port-H



**VSWR\_C Type**  
**Port-H**



**Port-H**





## 5. Pattern

